

## Amplifier windshield antenna, replacing

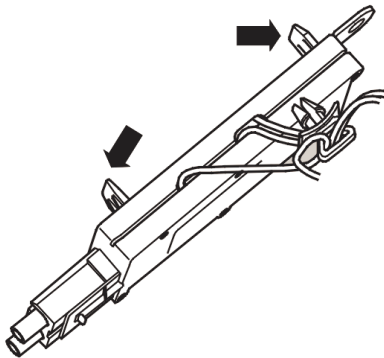
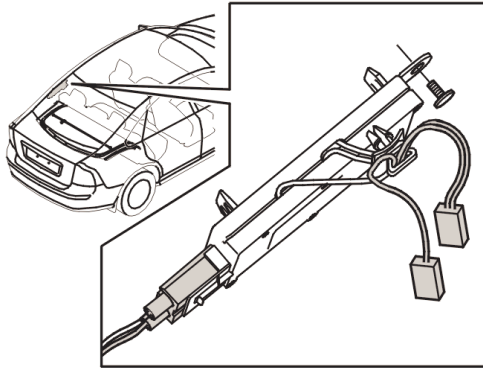
**Note!** The illustrations in this service information are used for different model years and/or models. Some variation may occur. However, the essential information in the illustrations is always correct.

### Removal

#### Removing the amplifier

Remove:

- the C-post panel. See: [Panel C-post, replacing](#)
- the 3 connectors
- 1 M6 screw.



Remove the amplifier. Use an electrician's screwdriver at the top edge to release the clip.

### Installation

**Note!** For tightening torques, see: [Tightening torque](#) .

#### Installing the amplifier

Install:

- the amplifier
- the 1 M6 screw
- the 3 connectors
- the C-post panel. See: [Panel C-post, replacing](#) .