

## Central loudspeaker, replacing

Special tools: [951 2943](#)

**Note!** The illustrations in this service information are used for different model years and/or models. Some variation may occur. However, the essential information in the illustrations is always correct.

### Removal

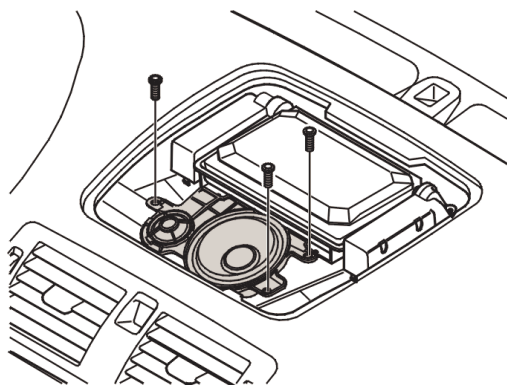
#### Removing the center loudspeaker

Remove:

- the loudspeaker grille. Use an L shaped hook: [951 2943](#)

**Caution!** Do not damage the dashboard.

- the 3 screws
- the connector
- the loudspeaker.



### Installation

#### Installing the center loudspeaker

Install:

- the loudspeaker
- the connector
- the 3 screws
- the loudspeaker grille.

Check the function.