

Parcel shelf, replacing

Note! The illustrations in this service information are used for different model years and/or models. Some variation may occur. However, the essential information in the illustrations is always correct.

Removal

Removing the parcel shelf

Remove the luggage compartment lighting under the parcel shelf.

Fold down the backrest cushion.

Detach the lower seat belt mountings in the outer seats.

Fold up the front edge of the parcel shelf (1).

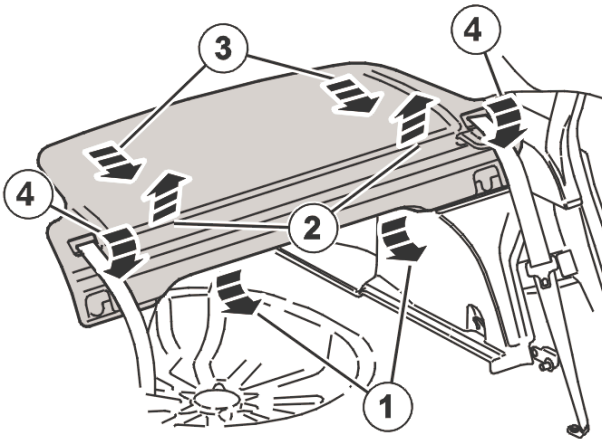
Insert your hand under the parcel shelf, place the hand by the clips turrets (2) and press the parcel shelf straight up.

Pull the parcel shelf straight forward into the vehicle (3).

Press out the seat belt covers (4).

Thread the seat belts through the parcel shelf.

Remove the parcel shelf.



Installation

Note! For tightening torques, see: [Tightening torque](#) .

Installing the parcel shelf

Note! Make sure that the cable harness for the luggage compartment lighting ends up correctly at the socket.

Thread the seat belts through the parcel shelf.

Install the seat belt covers.

Slide in the rear edge of the parcel shelf until the hooks grip.

Press the parcel shelf straight down.

Fold back the front edge of the parcel shelf.

Install the lower seat belt mountings using 2 M10 screws. Tighten.

Fold the backrest cushion up.

Fit the luggage compartment lighting under the parcel shelf.